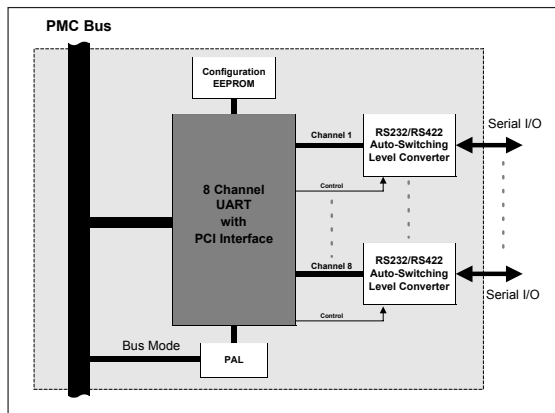


## ► 8-Channel UART Serial I/O PMC Adapter

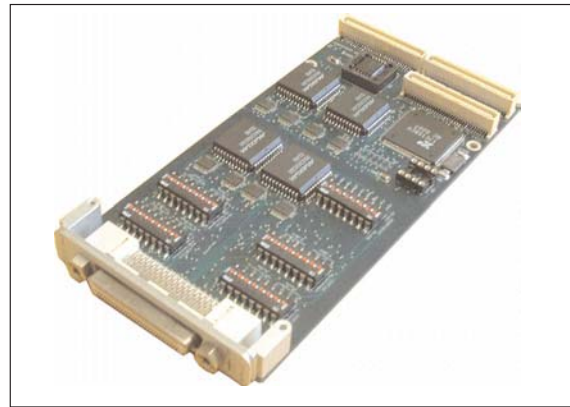
The 8-Channel UART Serial I/O PMC (PCI Mezzanine Card) Adapter provides eight channels of simultaneous, bi-directional UART (Universal Asynchronous Receiver/Transmitter) serial communications. All channels are individually configurable as RS232/422/485 by means of DIP switches. The adapter is available in both conduction-cooled (CC) and air-cooled versions : ruggedised, industrial and commercial.

### Architecture

The 8-Channel UART Serial I/O PMC Adapter employs a PCI-based 8-channel, high performance, industry standard 16550 compatible UART.



Architecture Block Diagram



8-Channel UART Serial I/O PMC Adapter

### Features

- Cost-effective option for systems that require a large number of UART compatible serial communication links.
- Allows direct low-level control of the serial communication links.

### Conduction-Cooling

The conduction-cooled 8-Channel UART Serial I/O PMC Adapter conforms to the CCPMC (Conduction-Cooled PCI Mezzanine Card) Standard, namely ANSI/VITA 20-2001.

### Applications

- Distributed real-time applications in harsh environments
- Mission-critical applications
- Avionics
- Remote Access Servers



## ► 8-Channel UART Serial I/O PMC Adapter

### 8-Channel UART Serial I/O PMC and CCPMC Adapter Specifications

<b>Bus Interface</b>	32-bit, 33 MHz PCI-bus Electrically : 5 V signaling, PCI Rev. 2.2 Mechanically : Single CMC formfactor IEEE P1386-2001
<b>Serial Interface</b>	RS232/422/485 selectable asynchronous transfer with modem control signals. <b>Front-panel signals :</b> RS232 Rx/D, Tx/D, RTS, CTS, DTR, DSR, CD, RI RS422/485 Rx/D, Tx/D, RTS, CTS, DTR, DSR, CD <b>Rear-panel signals :</b> RS232 Rx/D, Tx/D, RTS, CTS, DTR, DSR, CD, RI RS422/485 Rx/D, Tx/D, RTS, CTS
<b>Bit Rates</b>	User-programmable standard rates up to 115,2 kbps
<b>I/O Addresses</b>	Automatic assigned to the slot by PCI Rev. 2.2 Plug-and-Play
<b>I/O Options</b>	Front-panel and rear connector I/O options with various rear connector PMC Jn4 I/O pin assignments. Conduction-cooled version has rear connector I/O only.
<b>Interrupts</b>	PCI INT A
<b>Termination Resistors</b>	100 Ω (switchable) for RS422/485
<b>Dimensions</b>	Air-cooled : 149,00 mm x 74,00 mm x 9,80 mm Conduction-cooled : 143,65 mm x 74,00 mm x 9,80 mm
<b>Mass</b>	85 g ± 10 g
<b>Power Requirement</b>	+5 V at 0,8 A
<b>MTBF</b>	Figures according to MIL-HDBK-217F, Parts Stress Method : Ground, Mobile T <sub>j</sub> = 65 C T <sub>a</sub> = 45 C 47 000 hrs Naval, Sheltered T <sub>j</sub> = 60 C T <sub>a</sub> = 40 C 93 000 hrs Airborne, Inhabited Cargo T <sub>j</sub> = 75 C T <sub>a</sub> = 55 C 76 000 hrs
<b>Software Drivers</b>	The 8-Channel UART Serial I/O PMC interface is compatible with the industry-standard 16550 UART. As such, no specific driver is required for most Operating Systems. VxWorks source code to locate the device in PCI space and obtain a pointer to the UART is supplied as an example. • VxWorks - For Linux kernel V2.4.x, tested with Red Hat 7.1 and 8.0.
<b>Supporting Software</b>	Sample driver usage software (C/C++ source code)
<b>Options</b>	Port software drivers to various other operating systems on request

### Environmental Specifications

	Commercial	Industrial	Ruggedised/Conduction-Cooled
<b>Temperature</b>			
- Operating	0 C to +55 C	-15 C to +75 C	-40 C to + 85 C
- Storage	-40 C to +85 C	-40 C to +85 C	-55 C to +125 C
<b>Humidity</b>	0% to 90%	0% to 95%	0% to 95%
<b>Shock</b>	N/A	30 g peak for 11 ms	40 g peak for 11 ms
<b>Vibration</b>			
- Sine	2 g (peak) 10 Hz to 100 Hz	10 g (peak) 5 Hz to 2 kHz	10 g (peak) 5 Hz to 2 kHz
- Random	0,04 g <sup>2</sup> /Hz at 15 Hz to 2 kHz	0,1 g <sup>2</sup> /Hz at 15 Hz to 2 kHz	0,1 g <sup>2</sup> /Hz at 15 Hz to 2 kHz

### Designations

CCII/SIO/PMC/8PU/FP/COM	Commercial	Front-panel or Backplane I/O	RS232	
CCII/SIO/PMC/8PU/FP/IND	Industrial	Front-panel or Backplane I/O	RS232	
CCII/SIO/PMC/8PU/FP/RGD	Ruggedised	Front-panel or Backplane I/O	RS232	
CCII/SIO/PMC/8PU/BP/CC	Conduction-Cooled	Backplane I/O	RS232	
CCII/SIO/PMC-G/8PU/FP/COM	Commercial	Front-panel or Backplane I/O	RS232	RoHS
CCII/SIO/PMC-G/8PU/FP/IND	Industrial	Front-panel or Backplane I/O	RS232	RoHS
CCII/SIO/PMC-G/8PU/FP/RGD	Ruggedised	Front-panel or Backplane I/O	RS232	RoHS
CCII/SIO/PMC-G/8PU/BP/CC	Conduction-Cooled	Backplane I/O	RS232	RoHS